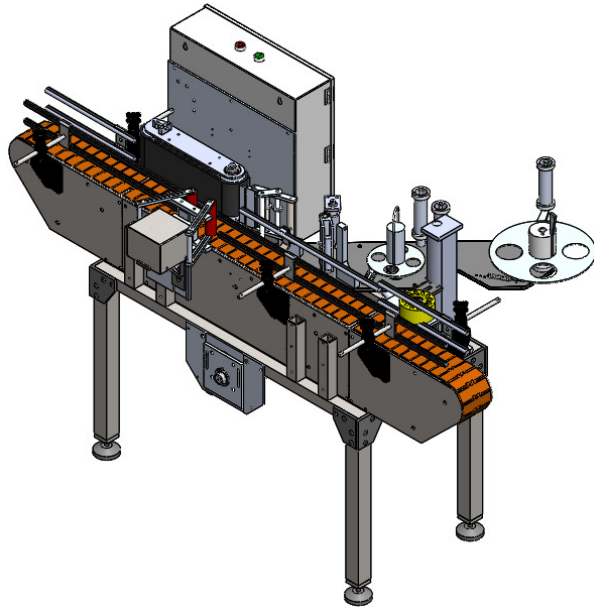




## Paradigm 700SP Labeler

The 700SP labeler is our solution for applying clear labels without bubbles or wrinkles showing up. With a smooth, consistent label application thanks to our gripper rolls, cans or bottles with clear labels look as if they are screen printed, but cost a fraction of the price. The 700SP is flexible, and is capable of also applying two labels from a single roller.



### Machine capabilities:

- Fully automated
  - PLC controlled
- 1" to 6" tall x 14" long labels
  - Upgradable to 7 1/2" tall labels
- Consistent pressure across the entire label length
- Clear label application available
- Fully adjustable from 1" to 5" diameter containers

Speeds up to 45 containers per minute.

## Options

- Clear Label Sensor
- 7-1/2" Tall Label Upgrade
- Extended Conveyor Upgrade
- Hot Stamp Coder Upgrade

## Contact us

Phone: [843-569-2530]

Email: [sales@inlinepack.com]

Web: [inlinepack.com]

