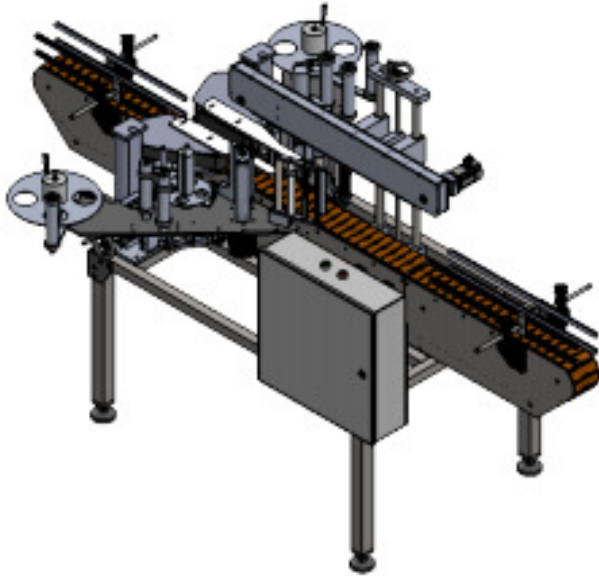




Paradigm 700NR Labeler

The Model 700NR is a fully automatic labeler especially designed to be an easy machine to operate. This machine can consistently apply front and/or back labels to your round and non-round containers. It is also upgradeable to meet future demands. Standard features on the model 700NR include the top hold-down belt, aligning belts for infeed, an ultra-fast PLC and accurate stepper-driven labeling applicators.



Machine capabilities:

- Speeds to 180 bpm depending on label length and upgrade options.
- Fully automated
 - PLC controlled
- 1" to 6" tall x 14" long labels
 - Upgradable to 7 ½" tall labels
- Consistent pressure across the entire label length
- Fully adjustable from 1" to 5" diameter containers
- Changeovers require no tools and take less than 10 minutes.

Contact us

Phone: [843-569-2530]

Email: [sales@inlinepack.com]

Web: [inlinepack.com]

